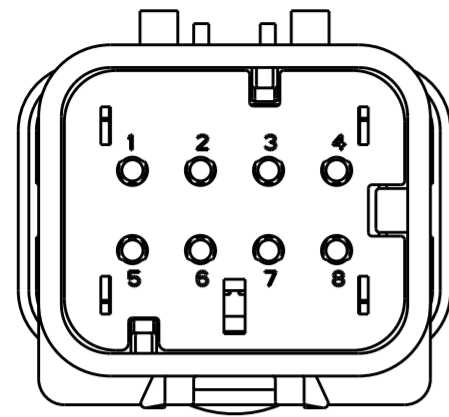
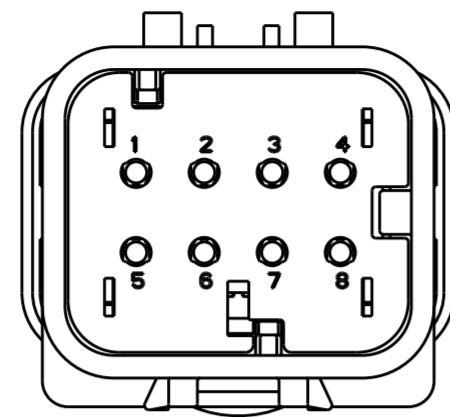


THIS DRAWING IS UNPUBLISHED
 RELEASED FOR PUBLICATION
 © COPYRIGHT 20 BY - ALL RIGHTS RESERVED.

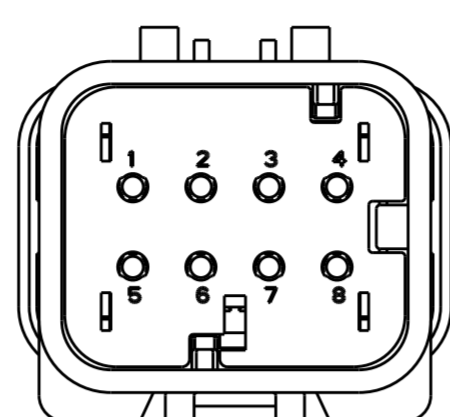
REVISIONS					
P	LTR	DESCRIPTION	DATE	DWN	APVD
C	I	REVISED PER ECO-11-005294	21APR2011	RK	HMR
D	D	REVISED PER ECO-13-019231	09DEC2013	DR	RB



776495-2
SCALE 2:1

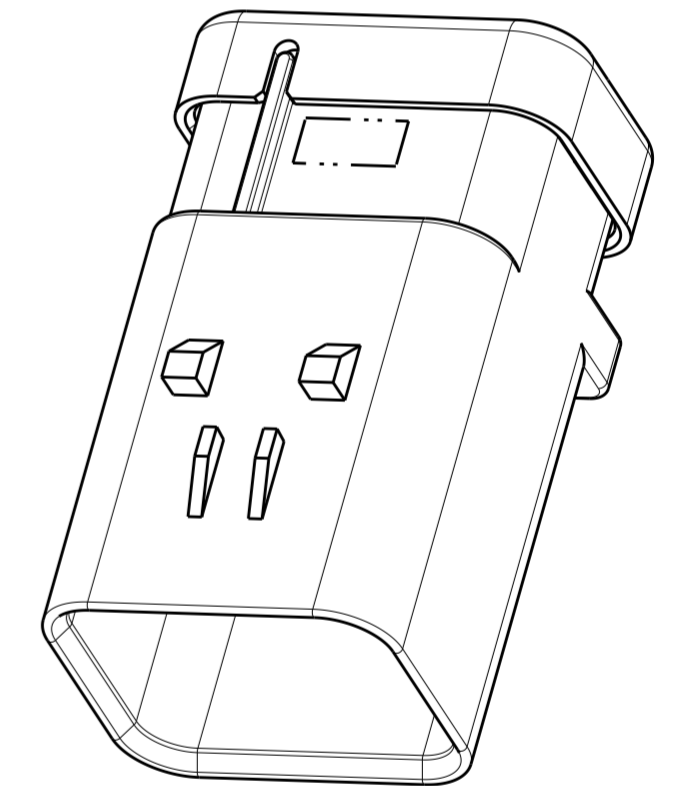
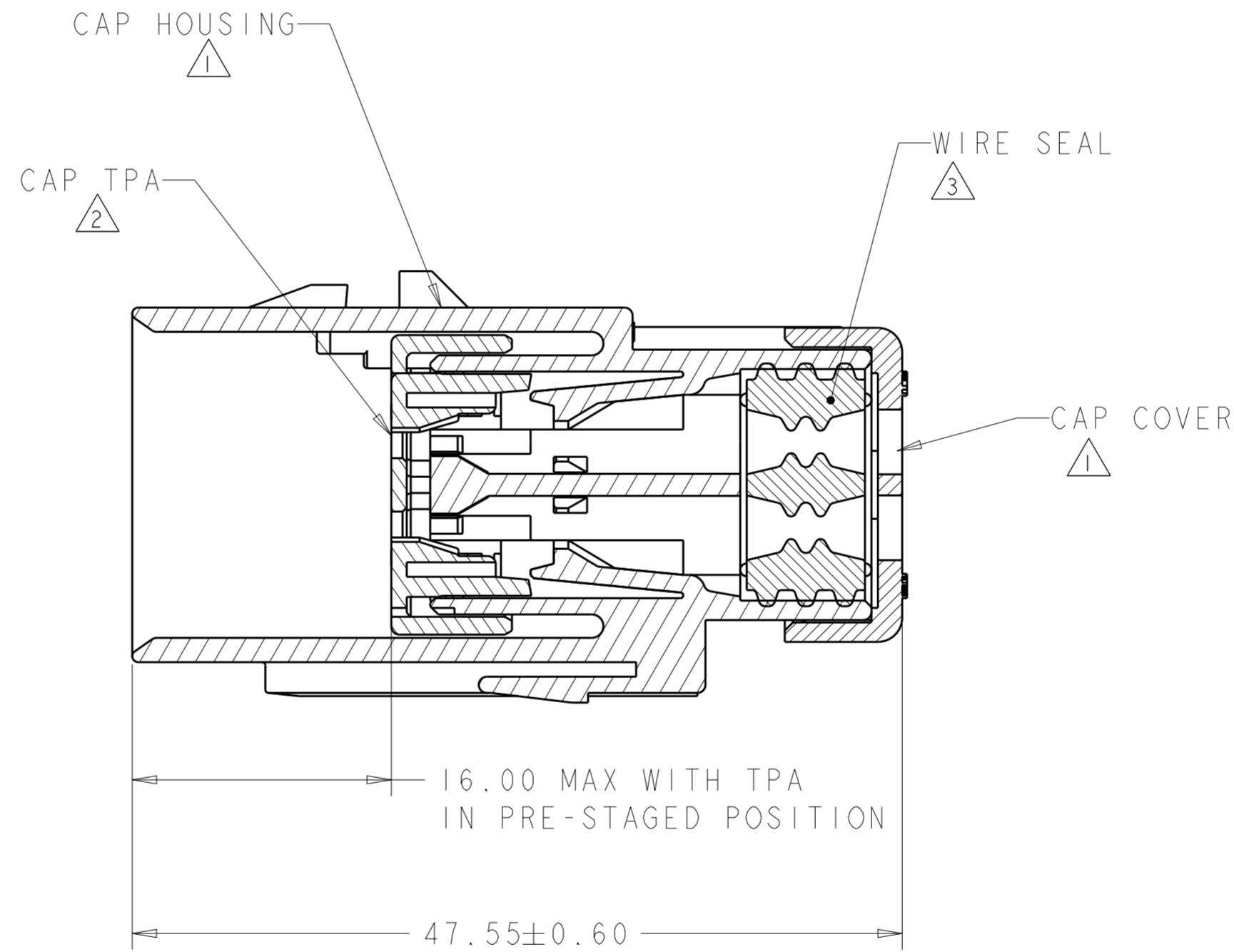
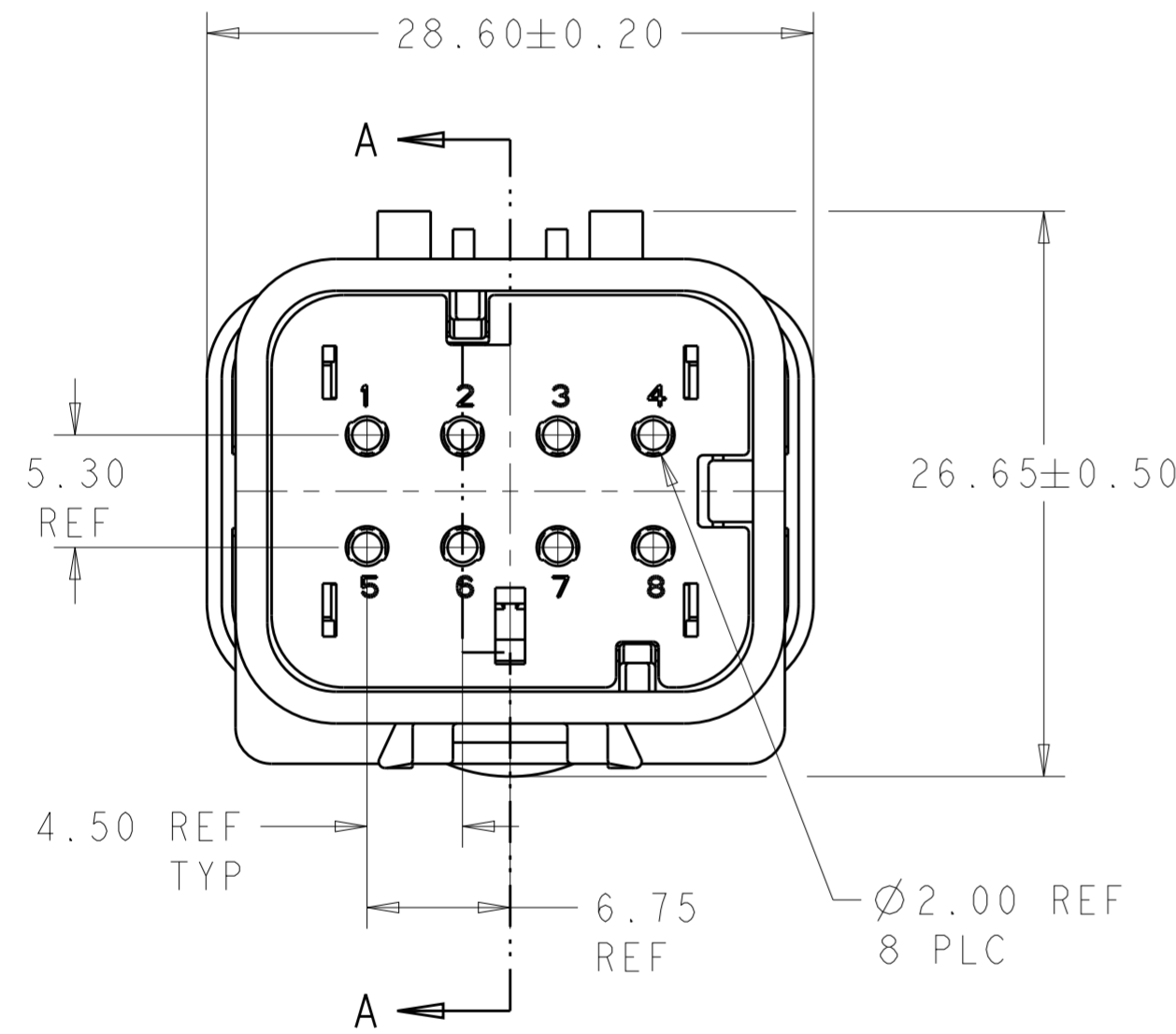


776495-3
SCALE 2:1



776495-4
SCALE 2:1

- ① MATERIAL: 15% GLASS FILLED THERMOPLASTIC
COLOR: BLACK
- ② MATERIAL: 15% GLASS FILLED THERMOPLASTIC
COLOR: (SEE TABLE)
- ③ MATERIAL: SILICONE
COLOR: GREEN



SCALE 2:1

TPA COLOR	PART NUMBER
GREEN	776495-4
YELLOW	776495-3
GRAY	776495-2
RED	776495-1

THIS DRAWING IS A CONTROLLED DOCUMENT.		DWN Y. PETERSON 17DEC02	TE Connectivity															
DIMENSIONS: mm		CHK R. GREINER 17DEC02																
TOLERANCES UNLESS OTHERWISE SPECIFIED:		APVD R. GREINER 17DEC02	NAME CAP ASSEMBLY, 8 POSITION, DUAL ROW, AMPSEAL 16															
<table border="1"> <tr> <td>0 PLC</td> <td>±</td> </tr> <tr> <td>1 PLC</td> <td>±</td> </tr> <tr> <td>2 PLC</td> <td>±</td> </tr> <tr> <td>3 PLC</td> <td>±</td> </tr> <tr> <td>4 PLC</td> <td>±</td> </tr> <tr> <td>ANGLES</td> <td>±</td> </tr> <tr> <td>FINISH</td> <td>-</td> </tr> </table>		0 PLC	±	1 PLC	±	2 PLC	±	3 PLC	±	4 PLC	±	ANGLES	±	FINISH	-	PRODUCT SPEC 108-2184	SIZE A2	
0 PLC	±																	
1 PLC	±																	
2 PLC	±																	
3 PLC	±																	
4 PLC	±																	
ANGLES	±																	
FINISH	-																	
MATERIAL		APPLICATION SPEC 114-13065	CAGE CODE	DRAWING NO G-776495														
		WEIGHT 17.5 ± 1g	RESTRICTED TO															
		Customer Drawing	SCALE 2:1	SHEET 1 OF 1 REV D														